

MATERIALS:

PLASTIC HOUSING: ENGINEERING THERMOPLASTIC

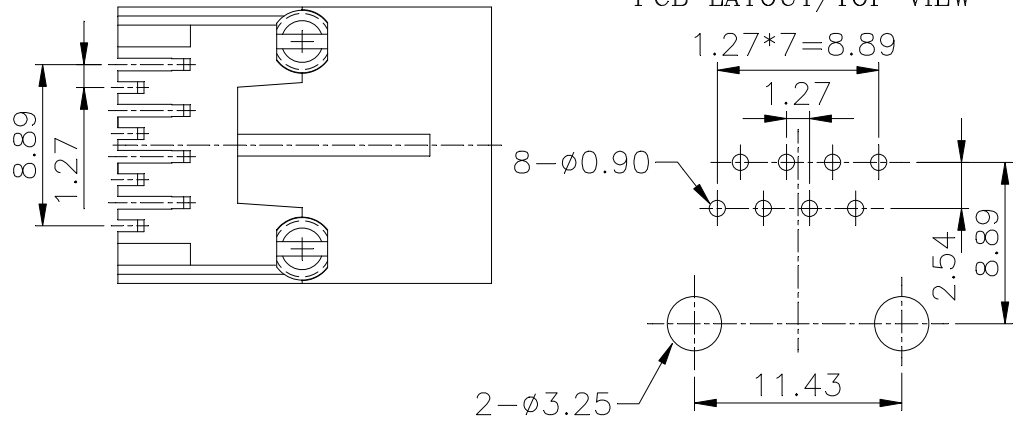
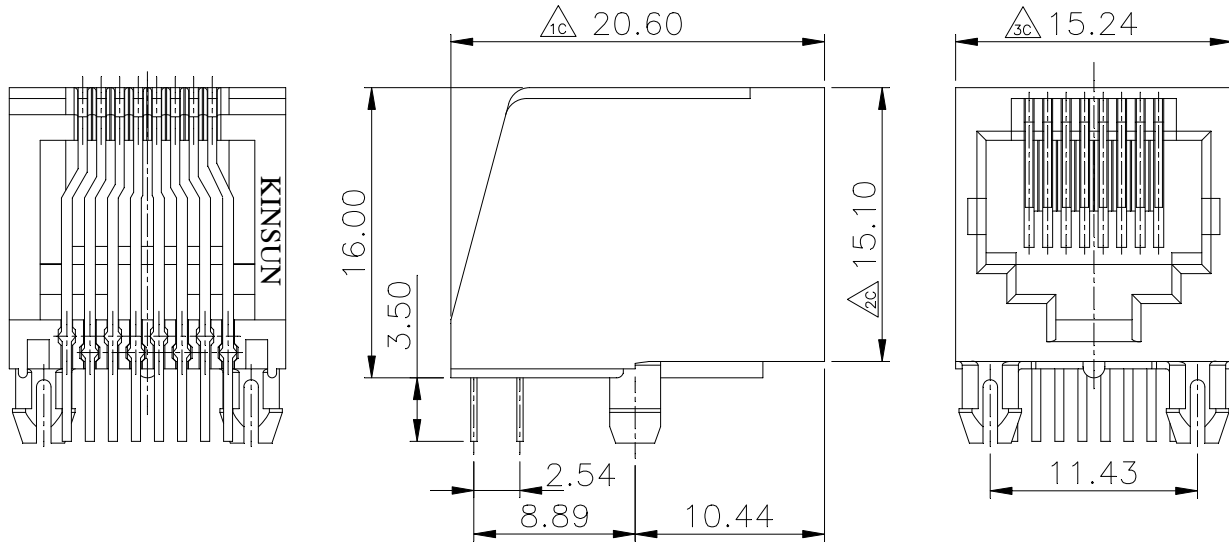
FLAMMABILITY RATING UL 94V-0.

CONTACTS: PHOSPHOR BRONZE

PLATING: GOLD PLATING OVER NICKEL IN CONTACT.

TIN PLATING OVER NICKEL IN SOLDER AREA.

RoHS COMPLIANT



※ 凡標註記號者, 為品管檢驗之尺寸

6u" P/N 3001685800

15u" P/N 3001686400

30u" P/N 3001687000

50u" P/N 3001687600

設計 DR. LILY 97-05-05	核准 APPD. Jerry 97-05-05	容許公差 .XXX ±0.10 .XX ±0.25 .X ±0.38 X ±0.50 ANG ±3°	TOLERANCE	品名 ARTICLE SIDE ENTRY PCB JACK(8P8C)
版本說明 REVISION NOTE		圖號 DWG NO. 3001685800		單位 UNIT 比例 SCALE 張數 SHEET 版本 REV. mm 2.5/1 1/1 C
圖面增加RoHS COMPLIANT, 發C版		KINSUN		